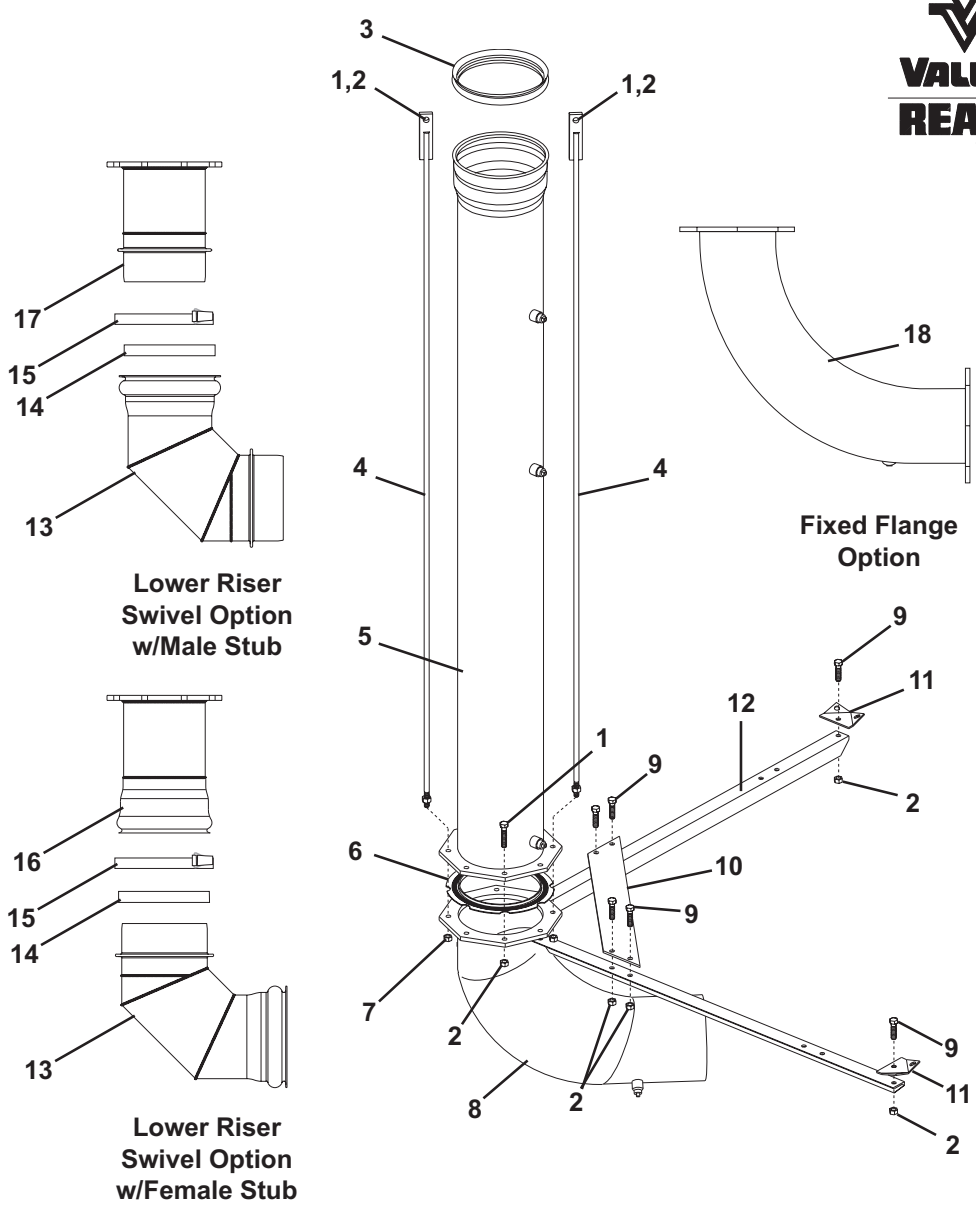


**8" Pivot**  
**Functional Area      Standard Profile      Assembly / Part      Riser Pipe & Supports**



ITEM	DESCRIPTION	PART #	ITEM	DESCRIPTION	PART #
1	1/2" x 2" Cap Screw .....	0161024	9	1/2" x 1-1/2" Cap Screw .....	0161026
2	1/2" Lock Nut .....	0133005	10	Gusset - Small Flat Truss .....	1701659
3	8" Triple Lip Gasket.....	0221001	11	Riser Support Ear.....	1781375
4	1/2" Tie Rod .....	1703146	12	8" Riser Pipe Support .....	1781376
5	8" Riser Pipe Assembly .....	1781643	13	8" x 90° Elbow Assembly .....	1K01251
	8" Riser Pipe Assembly, Epoxy .....	178E090	14	8" Gasket, Non-Drain .....	1K01752
6	8" Pipe Gasket.....	0992439	15	Ring Lock Clamp.....	1K00146
7	1/2" Hex Nut .....	0131015	16	8" Swivel Lower Riser Stub (Female).....	1781708
8	8" Lower Riser Assembly .....	1780278	17	8" Swivel Lower Riser Stub (Male) .....	1781711
	8" Lower Riser Assembly, Epoxy .....	178E043	18	8" Fixed Flange Lower Riser .....	1781707