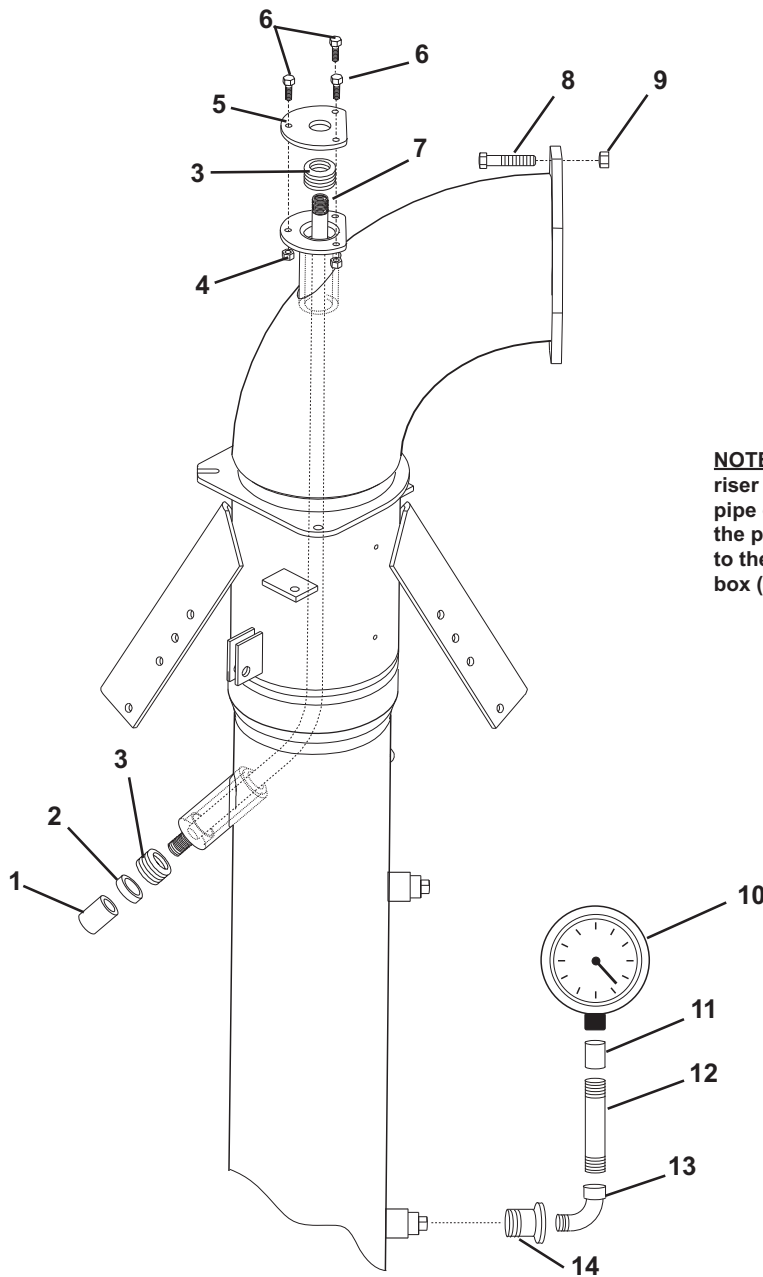


8" Pivot
Functional Area Standard & High Profile Assembly / Part Collector Ring "J" Tube



NOTE: When installing the riser pipe, position the "J" pipe outlet pointing toward the pivot leg that is closest to the right side of the pivot box (latch/lock side).

ITEM	DESCRIPTION	PART #	ITEM	DESCRIPTION	PART #
1	1" Galvanized Mechanical Coupling	0245061	10	Pressure Gauge, (0-30 PSI)	0231122
2	1-1/2" I.D. Retaining Bushing	1781640		Pressure Gauge, Low Pressure (0-60 PSI)	0232442
3	V Packing	0254004		Pressure Gauge, (0-100 PSI)	0232501
4	3/8" Lock Nut	0133006		Pressure Gauge, High Pressure (1-160 PSI)	0231001
5	1.38" I.D. Receiver Flange	1781353		Pressure Gauge, (0-4 BAR)	0231123
6	3/8" x 1-1/4" Cap Screw	0161153		Pressure Gauge, (0-8 BAR)	0231124
7	Pipe Collector Ring Support	1781355	11	1/4" Coupling	0245008
8	1/2" x 2" Cap Screw.....	0161024	12	1/4" x 3" Nipple.....	0211031
9	1/2" Lock Nut	0133005	13	1/4" x 90° Street Elbow.....	0241032
			14	3/4" x 1/4" Reducer.....	0244025