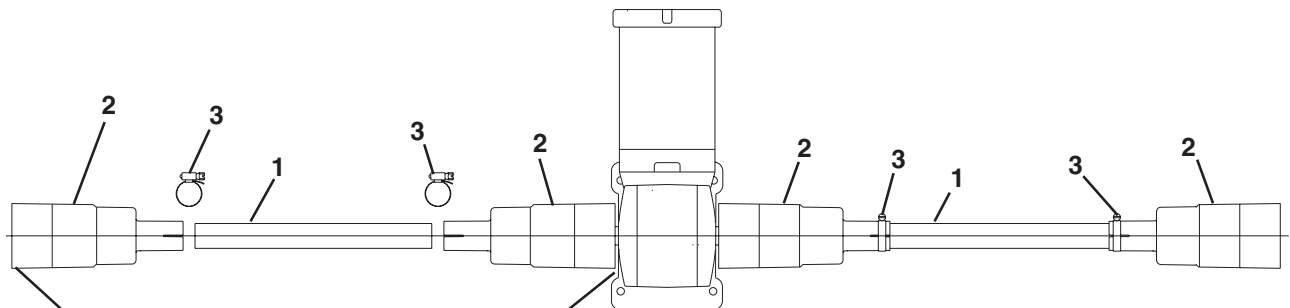


NOTE: Install shields inside crop guard with 1/8" gap between shield and gearboxes/center drive. Shield assemblies should rotate freely over drive shaft and u-joints.

Helical Gear Center Drive



NOTE: Install Shields with 1/8" gap between shield and gearboxes/center drive. Shield Assemblies should rotate freely over drive shaft and u-joints.

Worm Gear Center Drive

ITEM	DESCRIPTION	PART #
1	Shield - 40.62" Long (Low Profile)	0992716
	Shield - 55.38" Long (Standard Profile)	0992715
	Shield - 76.31" Long (High Profile).....	0992717
	Shield - 96.34" Long (Ultra High Profile)	0994598
2	Shield - 11.75" Long	1702614
3	Clamp, Stainless Steel	0271013

COMPLETE Standard Drive Shaft Shield Pkg.....0000723
COMPLETE Extended Tower Drive Shaft Shield Pkg.0000653